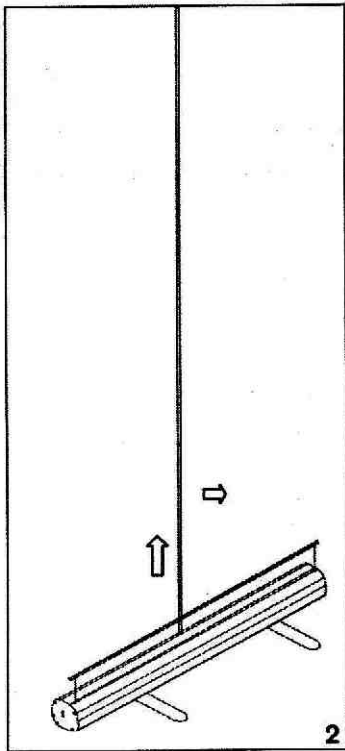
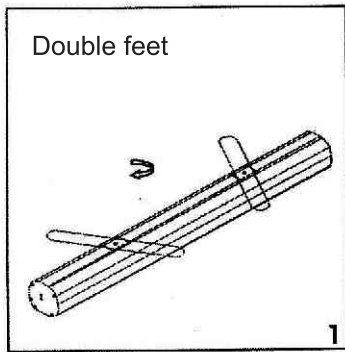
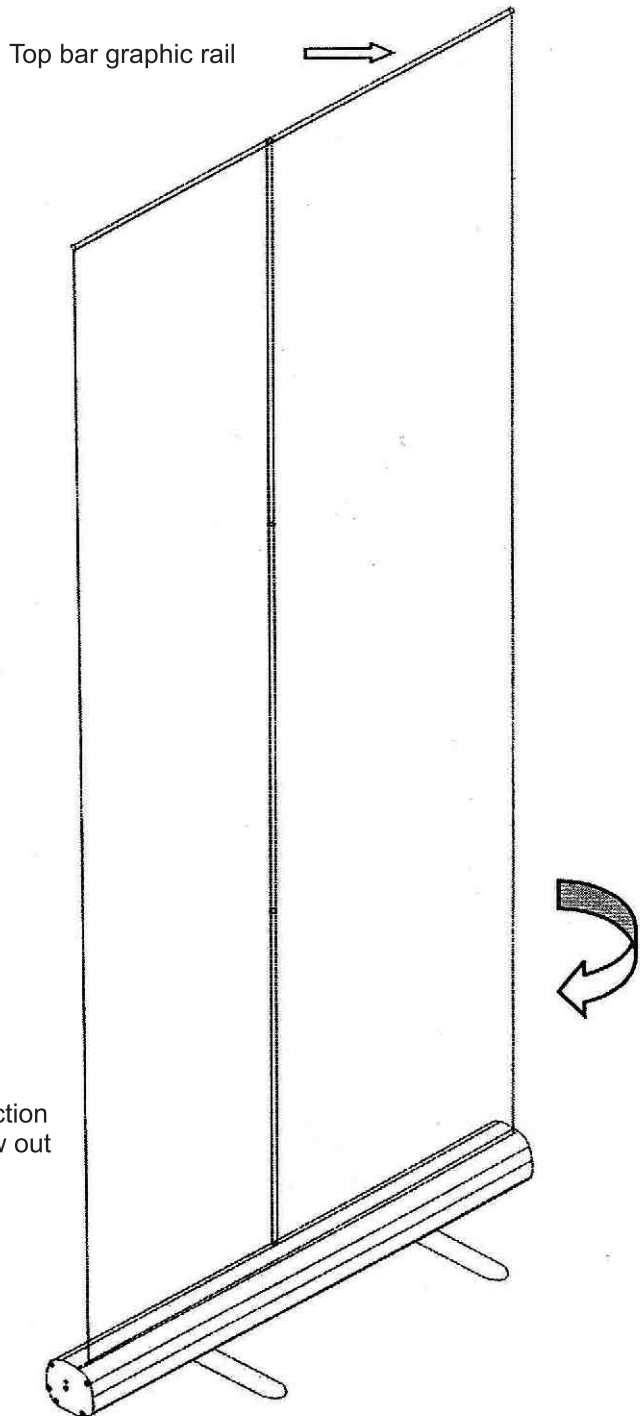


# Robert RS-50

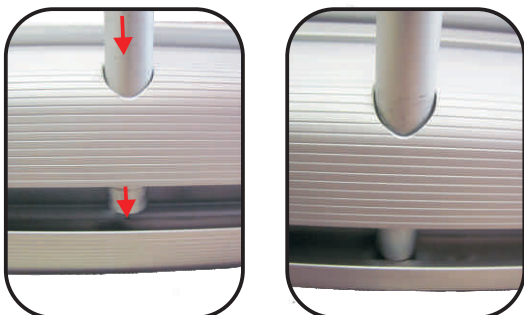
## Assembly manual



Put on the three-section pole and then draw out the graphic.



The graphic is pulled up according to the direction.



Place poles in to the end of the stand

