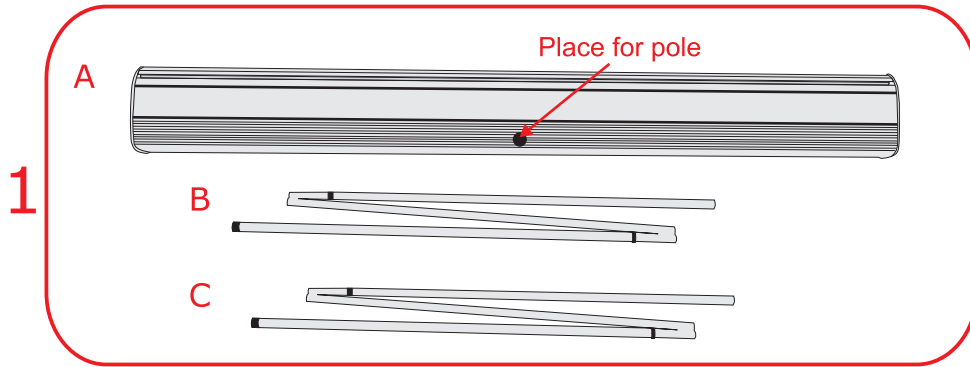
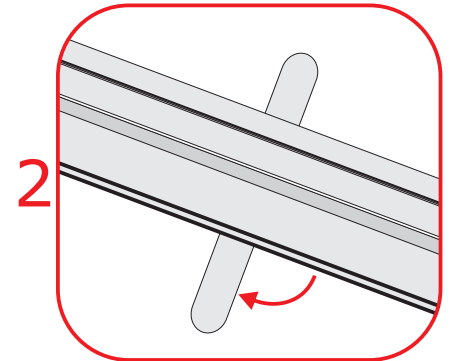


Robert RS-240

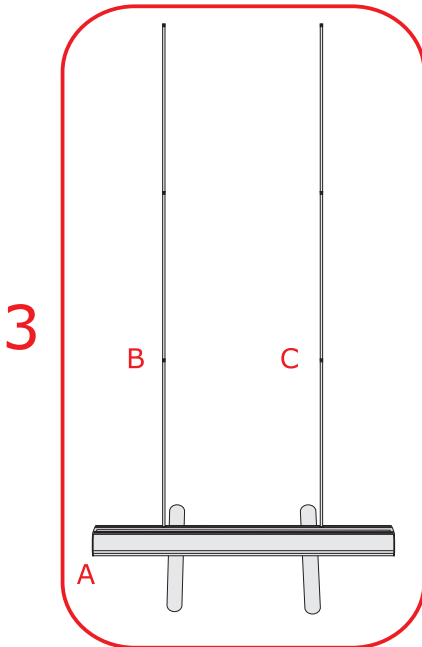
Assembly manual



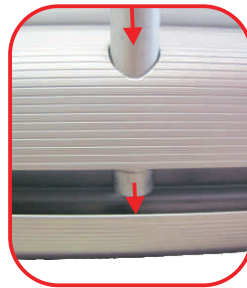
1. A Promotional stand
B Pole
C Pole



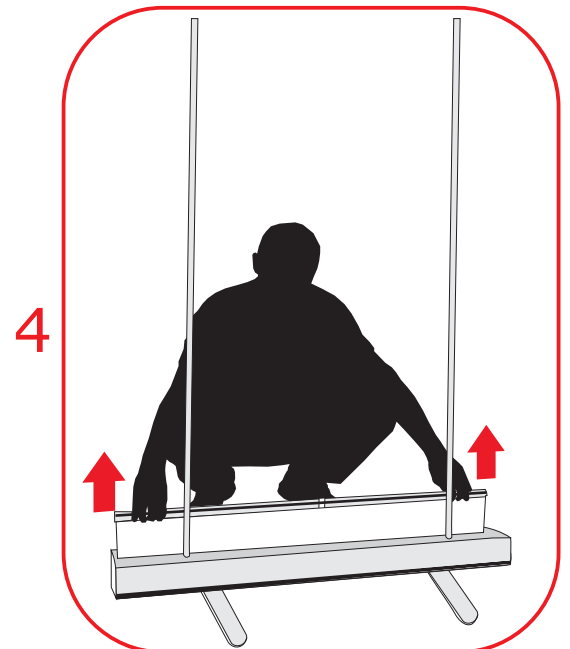
2. Rotate legs



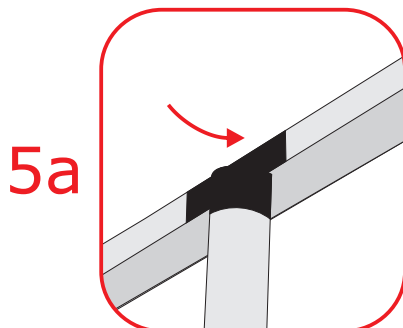
3. Place poles (B,C) in to the stand (A)



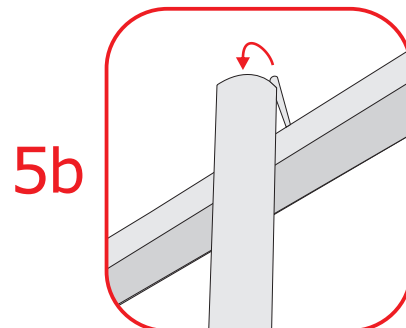
- Place poles in to the end of the stand



4. Slowly roll out poster keeping it from both corners.



- 5a. Place plastic part in to the top holder



- 5b. Hang up hook on the top of pole

Disassemble making same steps backwards.

Note: This is not commercial proposal. This is just assembling scheme. Product set, colours of parts and etc. showed in this in struction can be different depending on product specification.