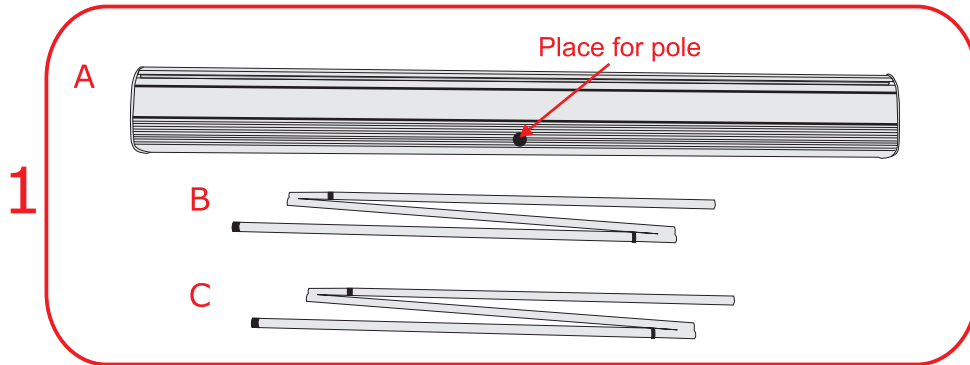
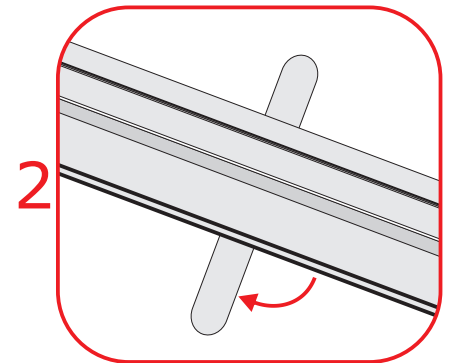


Robert RS-150

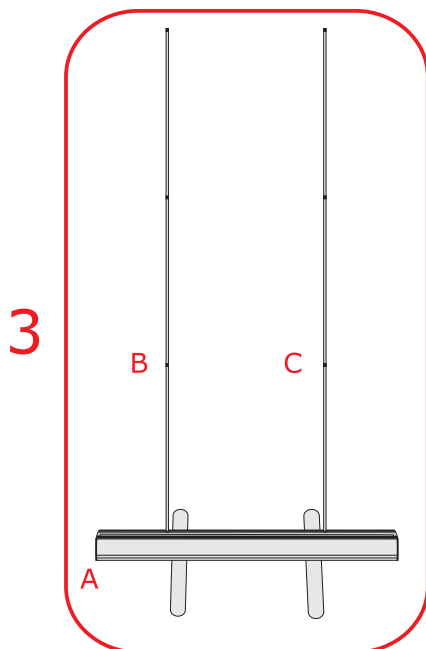
Assembly manual



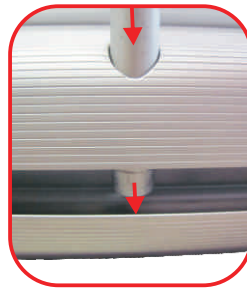
1. A Promotional stand
B Pole
C Pole



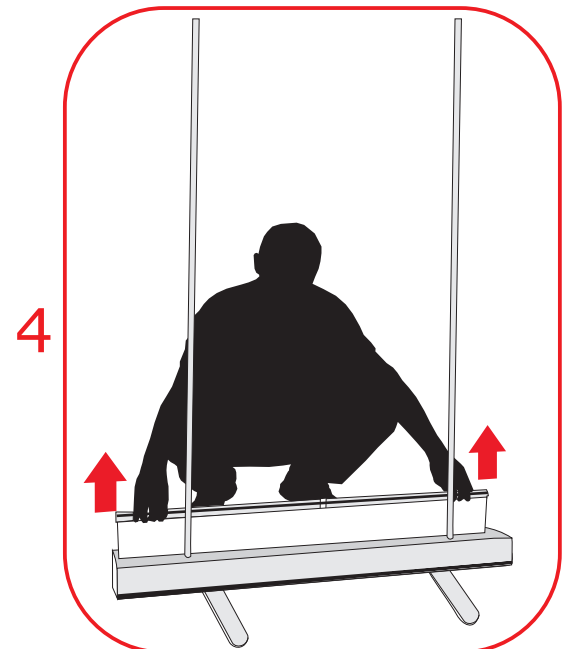
2. Rotate legs



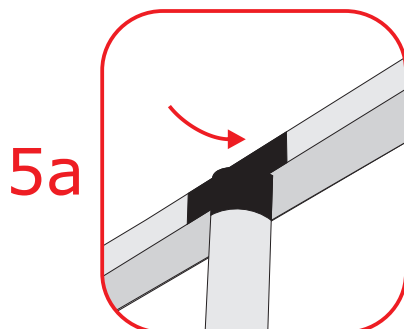
3. Place poles (B,C) in to the stand (A)



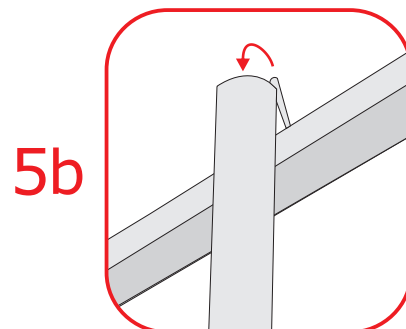
Place poles in to the end of the stand



4. Slowly roll out poster keeping it from both corners.



- 5a. Place plastic part in to the top holder



- 5b. Hang up hook on the top of pole

Disassemble making same steps backwards.

Note: This is not commercial proposal. This is just assembling scheme. Product set, colours of parts and etc. showed in this in struction can be different depending on product specification.