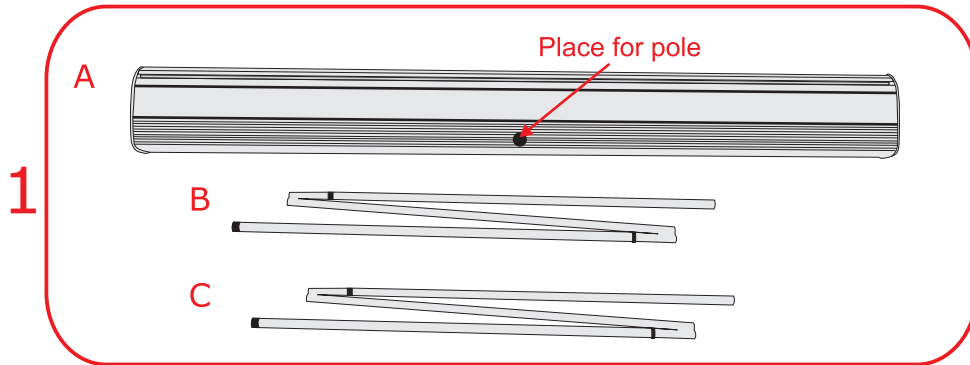
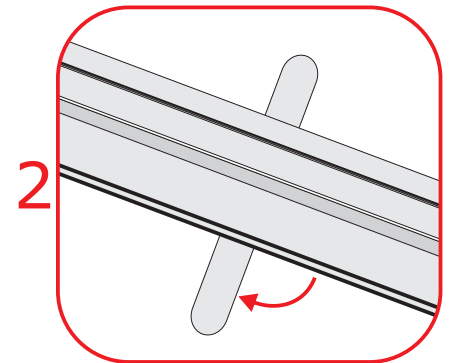


# Robert RS-120

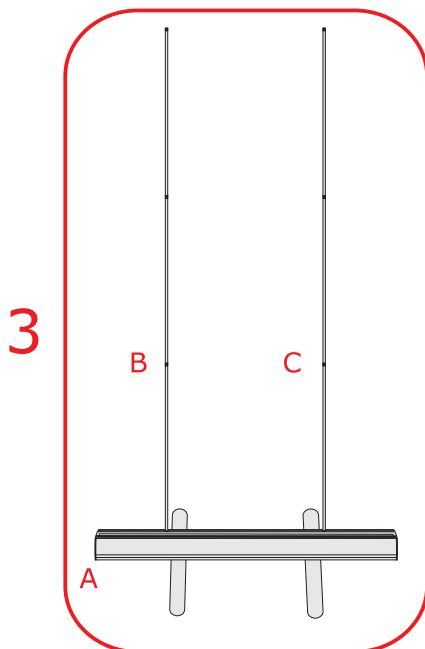
## Assembly manual



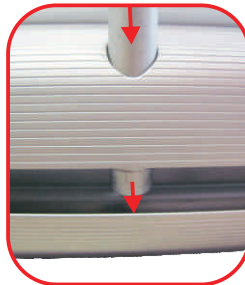
- 1. A Promotional stand
- B Pole
- C Pole



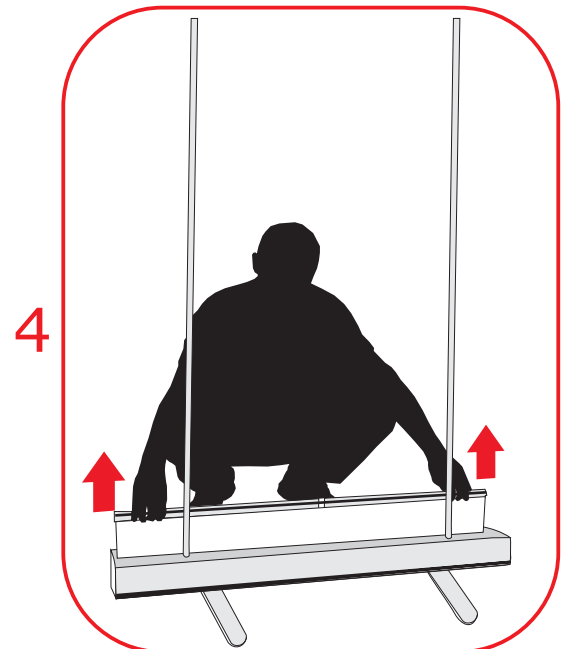
- 2. Rotate legs



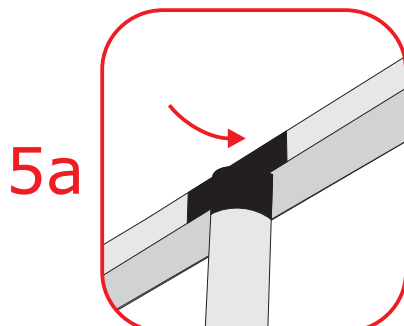
- 3. Place poles (B,C) in to the stand (A)



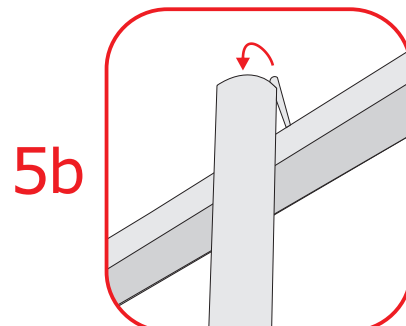
Place poles in to the end of the stand



- 4. Slowly roll out poster keeping it from both corners.



- 5a. Place plastic part in to the top holder



- 5b. Hang up hook on the top of pole

**Disassemble making same steps backwards.**

**Note:** This is not commercial proposal. This is just assembling scheme. Product set, colours of parts and etc. showed in this in struction can be different depending on product specification.